



Heavy Duty Polypropylene Tube Bracket Range

Heavy Duty Polypropylene Tube Brackets

Design

Heavy Duty Polypropylene Tube Brackets are designed to provide support and stability for both imperial and metric piping systems and can be used in a wide range of industry applications.

Manufactured from durable polypropylene material, the hinged top clamp design allows for easy installation whilst ensuring the secure positioning of pipes in some of the toughest environments.

Material

Polypropylene body/stainless steel bolts.

Sizes

Available in sizes 15mm NB-315mm OD.

Applications

These brackets are resistant to many chemicals making them an excellent choice for Water and Wastewater Treatment Plants, Commercial Swimming Pools, Industrial Processing Plants, etc. Used extensively in conjunction with plastic piping systems such as U-PVC, C-PVC and HDPE.

Installation Notes:

When installing the tube brackets, they should be mounted on a surface which is flat and stable. For sizes over 110mm it is not recommended the brackets are mounted onto walls or ceilings in positions as shown in Diagrams E and F (pages 5 and 7). Diagrams B and C show the provisions which should be made for bracketing horizontal pipework to walls or ceilings. If C-rails are used for support, the bracket should be fixed to the closed and flat side of the rail. If the bracket needs to be mounted on the open side of the rail, a steel plate under the bracket may be required to create a flat and stable mounting surface.

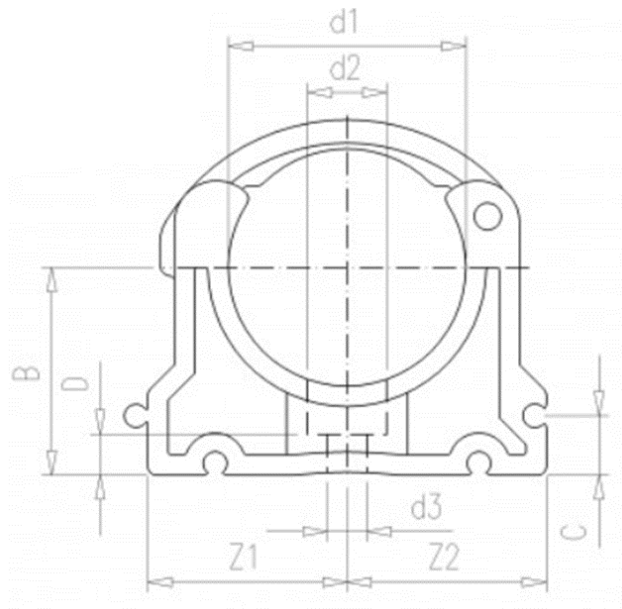
All bolts and screws used to fix these brackets when mounting should have a flat surface under the head of the fastener and used in conjunction with a flat washer. Tapered or countersunk heads should not be used.

Bracket spacings shown (pages 4 and 6) apply to PVC-U pipes that have a pressure rating of PN10 or PN16, and the transferred substance at the stated temperature and based on a static load. If dynamic loading occurs such as pump starting or fast valve closing, or heavy pipeline components such as valving are installed, extra brackets and supports should be considered.



Dimensional Drawings

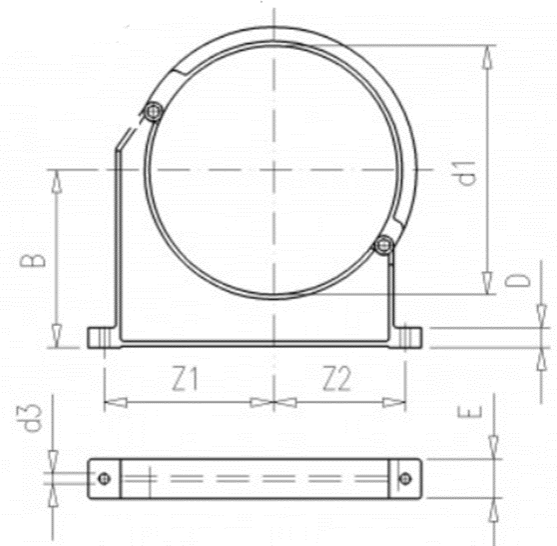
Imperial Bracket



ART. code	d1	Norm	d2	d3	Z1	Z2	B	C	D	E	TYPE	VERP
HDTB15	1/2	BS/ANSI	10.5	5.5	16.5	19	23.5	10	6	16	B	400 (40x10)
HDTB20	3/4	BS/ANSI	10.5	5.5	19	21.5	28.5	10	6	16	B	800 (80x10)
HDTB25	1	BS/ANSI	10.5	5.5	24	26.5	32	10	6	16	B	600 (60x10)
HDTB32	1 1/4	BS/ANSI	14	6.5	33.5	33.5	36	10	6.5	22	C	250 (25x10)
HDTB40	1 1/2	BS/ANSI	14	6.5	37	37	39	10	6.5	22	C	250 (25x10)

Dimensional Drawings

Imperial & Metric Bracket



ART. code	d1	d3	Z1	Z2	B	D	E
HDTB100	114	9	100	82	120	15	33
HDTB125	125	11	116	92	130	20	35
HDTB140	140	11	121	99	130	20	35
HDTB160	160	11	130.5	106.5	147.5	20	35
HDTB168	168	9	136	111	147	20	35
HDTB180	180	11	142.5	115	162.5	20	35
HDTB200	200	13	151.5	119.5	175	25	40
HDTB219	219	13	165	135	177	25	40
HDTB225	225	13	164.5	131.5	175	25	40
HDTB250	250	13	182.5	142.5	200	25	40
HDTB280	280	13	197.5	155.5	200	25	40
HDTB315	315	13	218.5	171.5	225	25	40

Imperial Brackets

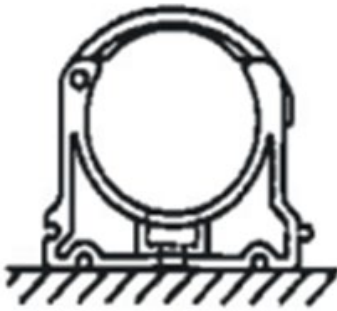
Recommended mounting distance spacing



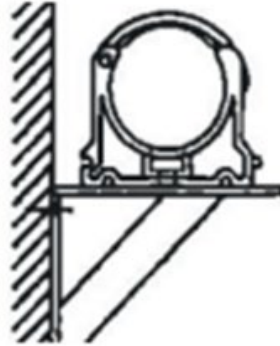
		Temperature														
		at 20°C			at 30°C			at 40°C			at 50°C			at 60°C		
Assembly situation		A/B/C/D	E	F	A/B/C/D	E	F	A/B/C/D	E	F	A/B/C/D	E	F	A/B/C/D	E	F
VDL ART. code	Nominal size (inch)	mm														
HDTB50	2	720	720	720	612	612	612	504	504	504	432	432	432	360	360	360
HDTB65	2 1/2	800	800	800	680	680	680	560	560	560	480	480	480	400	400	400
HDTB80	3	880	880	880	748	748	748	616	616	616	528	528	528	440	440	440

Imperial Brackets

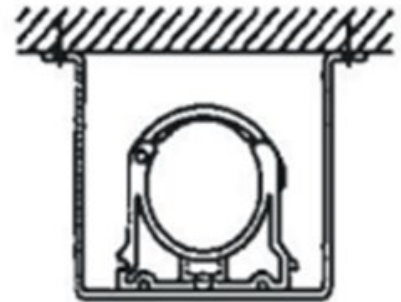
Installation positions



Assembly Situation A
Mounting on the floor



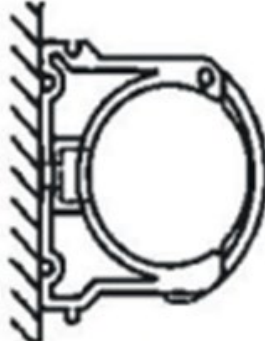
Assembly Situation B
Mounting on the wall
supported horizontally



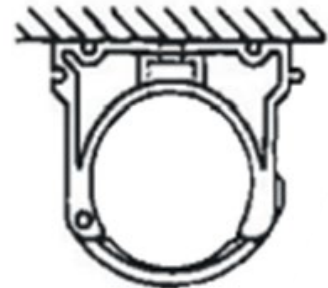
Assembly Situation C
Mounting on the ceiling
supported horizontally



Assembly Situation D
Mounting on the
wall vertically



Assembly Situation E
Mounting on the
wall horizontally



Assembly Situation F
Mounting on the ceiling

Metric Brackets

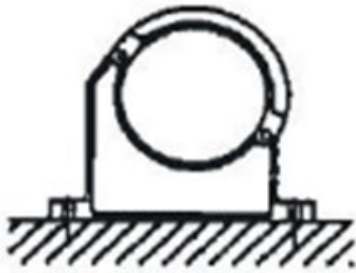
Recommended mounting distance spacing



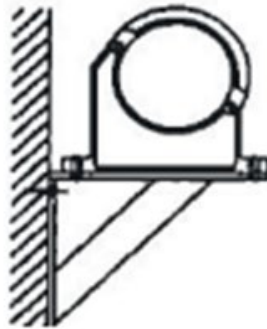
		Temperature														
		at 20°C			at 30°C			at 40°C			at 50°C			at 60°C		
Assembly situation		A/B/ C/D	E	F	A/B/ C/D	E	F	A/B/ C/D	E	F	A/B/ C/D	E	F	A/B/ C/D	E	F
VDL ART. code	Nominal size (mm)	mm														
HDTB100	4"	960	960	960	816	816	816	672	672	672	576	576	576	480	480	480
HDTB125	125	1020	/	/	867	/	/	714	/	/	612	/	/	510	/	/
HDTB140	5" + 140	1080	/	/	918	/	/	756	/	/	648	/	/	540	/	/
HDTB160	160	1160	/	/	986	/	/	812	/	/	696	/	/	580	/	/
HDTB168	6"	1160	/	/	986	/	/	812	/	/	696	/	/	580	/	/
HDTB180	180	1200	/	/	1020	/	/	840	/	/	720	/	/	600	/	/
HDTB200	200	1300	/	/	1105	/	/	910	/	/	780	/	/	650	/	/
HDTB219	8"	1300	/	/	1105	/	/	910	/	/	780	/	/	650	/	/
HDTB225	225	1300	/	/	1105	/	/	910	/	/	780	/	/	650	/	/
HDTB250	250	1300	/	/	1105	/	/	910	/	/	780	/	/	650	/	/
HDTB280	280	1500	/	/	1275	/	/	1050	/	/	900	/	/	750	/	/
HDTB315	315	1500	/	/	1275	/	/	1050	/	/	900	/	/	750	/	/

Metric Brackets

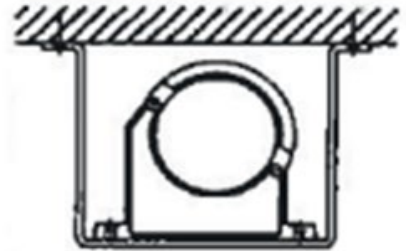
Installation positions



Assembly Situation A
Mounting on the floor



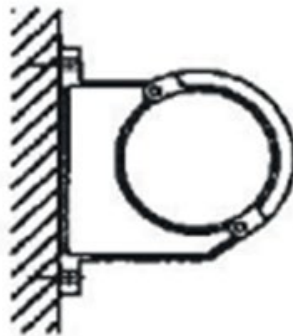
Assembly Situation B
Mounting on the wall
supported horizontally



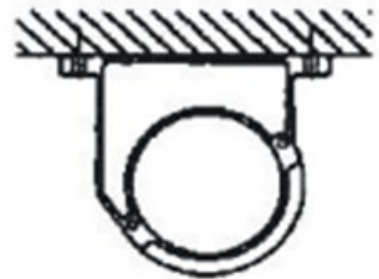
Assembly Situation C
Mounting on the ceiling
supported horizontally



Assembly Situation D
Mounting on the
wall vertically



Assembly Situation E
Mounting on the
wall horizontally



Assembly Situation F
Mounting on the ceiling

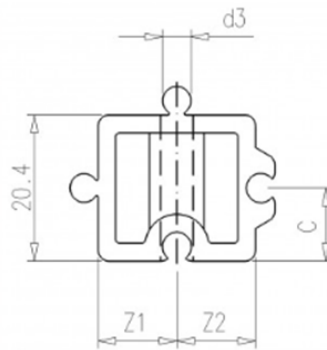
Heavy Duty Tube Bracket Spacers

Sizes

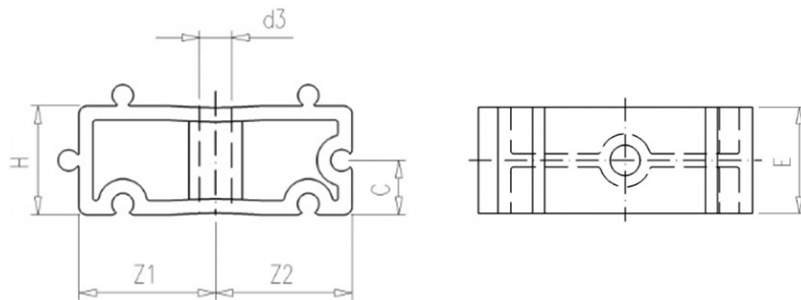
Available in sizes 17mm-90mm

Dimensional Drawings

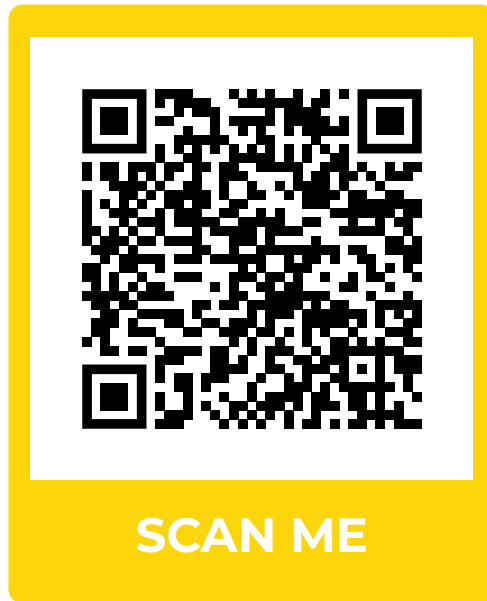
Type D



Type E



ART.code	d3	Z1	Z2	H	C	E	Type
HDTBSP08	4.5	11	13.5	20	10	12	D
HDTBSP10	5.5	14	16.5	20	10	16	E
HDTBSP15	5.5	16.5	19	20	10	16	E
HDTBSP20	5.5	19	21.5	20	10	16	E
HDTBSP25	5.5	24	26.5	20	10	16	E
HDTBSP32	6.5	33.5	33.5	20	10	22	E
HDTBSP40	6.5	37	37	20	10	22	E
HDTBSP50	8.5	44.5	44.5	20	10	25	E
HDTBSP65	8.5	52	52	20	10	25	E
HDTBSP80	8.5	64.5	64.5	20	10	28	E



**Scan the QR code to view our
Heavy Duty Polypropylene Tube
Bracket range online.**





Contact us to discuss your pipeline project 0800 387 677



90 Hurlstone Drive, New Plymouth

p: +64 6 769 6373

e: support@waterworks.co.nz

www.waterworks.co.nz